

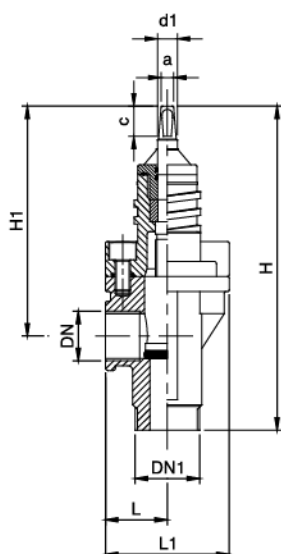


HOUSE CONNECTION VALVE THREADED TYPE



ANGLE TYPE :

Material	: GGG 50/40 to DIN EN 1563
Valve Stem	: St.Steel AISI 420 / SS304
Seal Gasket	: EPDM
Disc	: D.I GGG50/40 EPDM Gasket Coated.
O-Ring	: NBR
Bolts	: Grade 8.8 DIN 933 M12 or St. Steel



DN	DN1	L	L1	H	H1	d1
3/4.	1 1/4	47	94	238	116	16
1	1 1/4	47	94	238	116	16
1 1/4	1 1/4	47	94	238	116	16
1 1/4	2	60	118	304	211	16
1 1/2	2	60	118	304	211	16
2	2	60	118	304	211	16

Design Mechanical Data, Dimension , Materials and weight are subject to change without notice

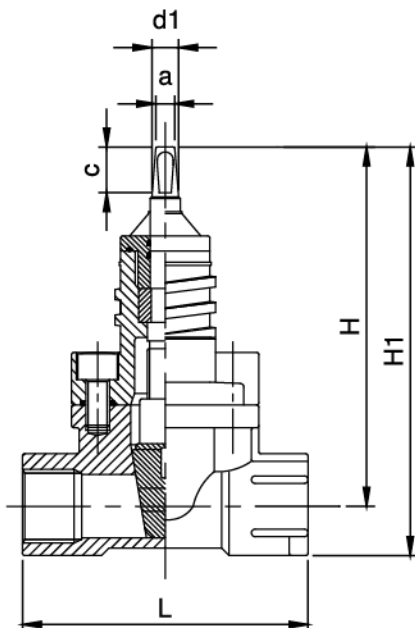


HOUSE CONNECTION VALVE THREADED TYPE



TEE TYPE :

Material	: GGG 50/40 to DIN EN 1563
Valve Stem	: St.Steel SS304 / 316L
Seal Gasket	: EPDM
Disc	: D.I GGG50/40 EPDM Gasket Coated.
O-Ring	: NBR
Bolts	: Grade 8.8 DIN 933 M12 or St. Steel

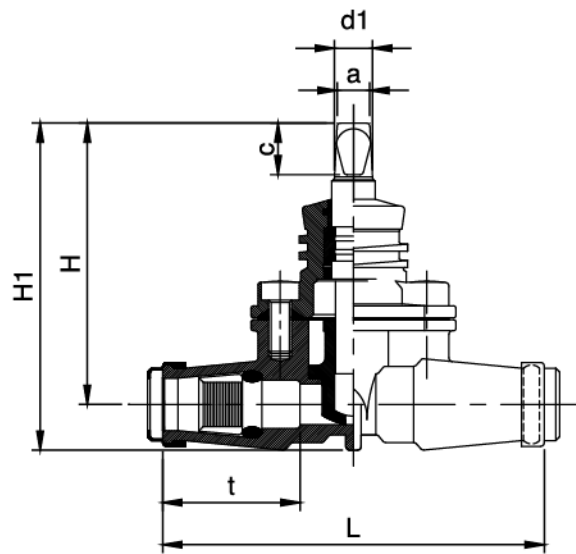


DN	L	H	H1	A	C	D 1
3/4.	122	175	198	10.5	21	16
1	122	175	198	10.5	21	16
1 1/4	122	175	198	10.5	21	16
1 1/2	150	225	262	10.5	21	16
2	150	225	262	10.5	21	16

Design Mechanical Data, Dimension , Materials and weight are subject to change without notice



HOUSE CONNECTION VALVE SOCKET TYPE



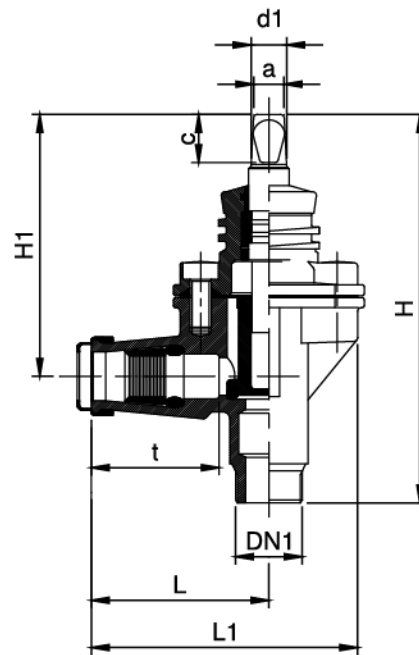
TEE TYPE Push -On restrain ring for Polyethylene Pipe:

Material	: GGG 50/40 to DIN EN 1563
Valve Stem	: St.Steel SS304/316L
Seal Gasket	: EPDM
Disc	: D.I GGG50/40 EPDM Gasket Coated.
O-Ring	: NBR
Bolts	: Grade 8.8 DIN 933 M12 or St. Steel

Design Mechanical Data, Dimension , Materials and weight are subject to change without notice



HOUSE CONNECTION VALVE SOCKET TYPE



ANGLE TYPE Push -On restrain ring for Polyethylene Pipe:

Material	: GGG 50/40 to DIN EN 1563
Valve Stem	: St.Steel SS304/316L
Seal Gasket	: EPDM
Disc	: D.I GGG50/40 EPDM Gasket Coated.
O-Ring	: NBR
Bolts	: Grade 8.8 DIN 933 M12 or St. Steel

Design Mechanical Data, Dimension , Materials and weight are subject to change without notice