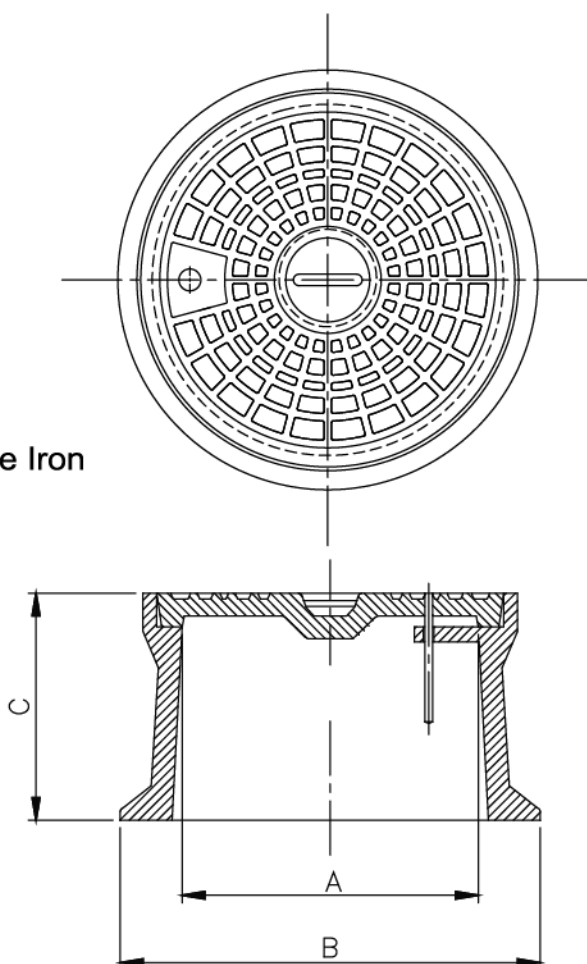




SURFACE BOX

Features :

- * Coating : Bitumen / Epoxy
Suitable for main Valves
- * Material : Cast Iron / Ductile Iron
Water, fire , Irrigation
- * Load : 40 TONS HD
- * Standard : BS EN 124
BS 5834

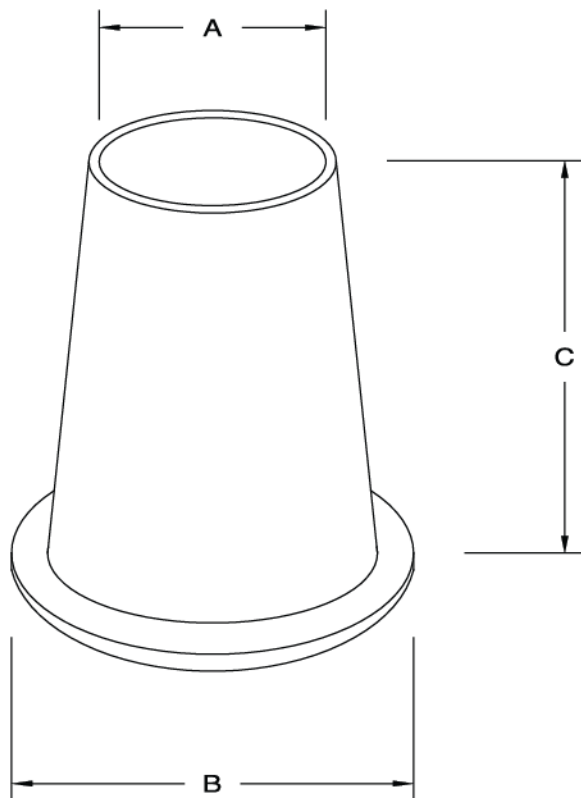
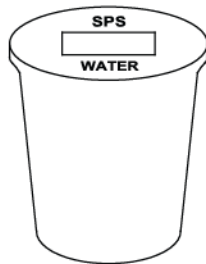


Reference No.	Clear Opening A (mm)	Over Base B (mm)	Depth C (mm)	Weight Kg.
SU 130	130	200	300	15
SU 140	140	270	180	17
SU 200	200	330	180	26
SU 220	220	330	180	28
SU 300	300	400	200	38

Design Mechanical Data, Dimension , Materials and weight are subject to change without notice



SURFACE BOX



FEATURES :

- Coating : Bitumen / Epoxy .
- Suitable for Main and House connection valves.
- Water , Fire , Irrigation ,
- Load : 40 TON .
- Material : Cast Iron / Ductile Iron GGG50/40.



Reference No.	Clear Opening A (mm)	Over Base B (mm)	Depth C (mm)	LOADING TONS
SU 190	80	195	190	40
SU 250	80	195	250	40

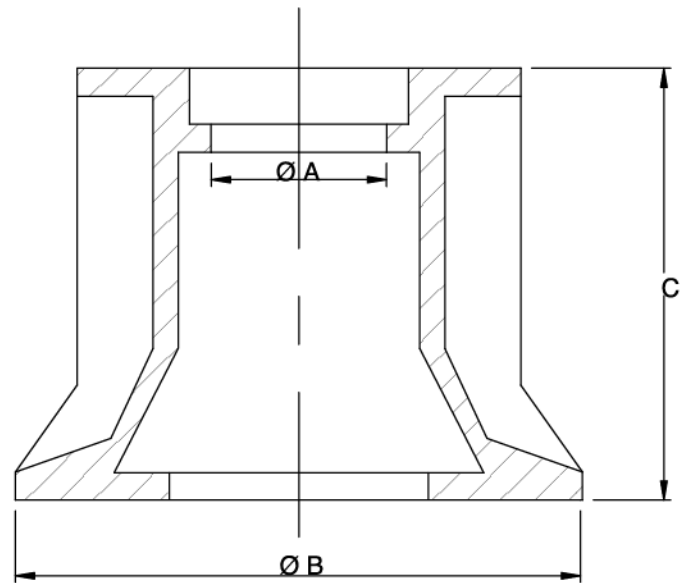
Design Mechanical Data, Dimension , Materials and weight are subject to change without notice



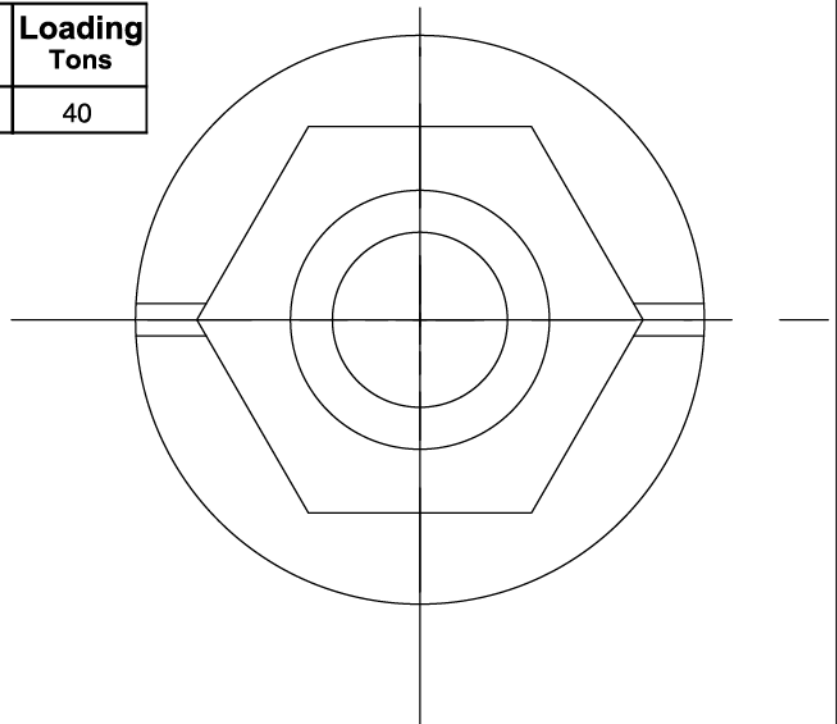
SURFACE BOX SU-170

Features :

- * Coating : Bitumen / Epoxy
Suitable for house connection Valve
- * Material : Cast Iron
Water, fire , Irrigation
- * Load : 40 TON



Clear Opening A (mm)	Over Base B (mm)	Depth C (mm)	Loading Tons
77	200	170	40



Design Mechanical Data, Dimension , Materials and weight are subject to change without notice