



AIR RELEASE VALVE AIF-118 S (For Sewage)



APPLICATION

SPS air release & Vacuum valve for sweage are designed to perform three functions in a single body for use in wastewater/sewage system:

OPERATION

1. System is turned-on by a vakve opening or a pump start:

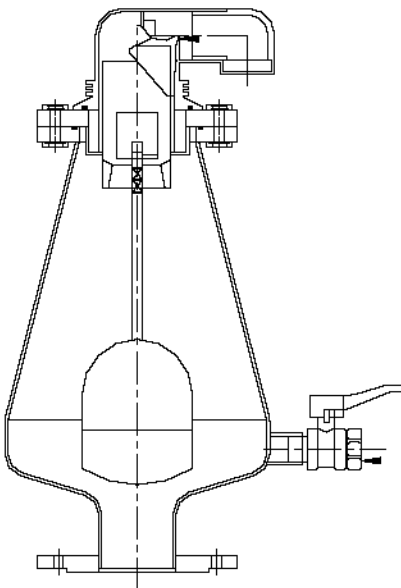
- a) Air/Gas is vented through the chamber
- b) Sewage flows inside the air valve as pressure increases, causing the large float to rise , which is connected to the sealing float. Threfeore, sealing float goes up and seals the outlet to prevent liquid flow outflow. The seling mechanism is completely separate from where the sewage flows.

2. During the operation, pressurized air/gas pockets accu-
mulate in the system:

- a) Air/Gas is pockets enter the valve and cause the sealing float in the small chamber to drop.
- b) Air/gas is vented through the orifice.
- c) The Pressure in the valve decreases as a result of the exhaustion of the air/gas pockets, causing the sealing float to rise again, and seal the outlet.

3. System is turned-off by a valve closing, pump shut-off or by an electricity failure:

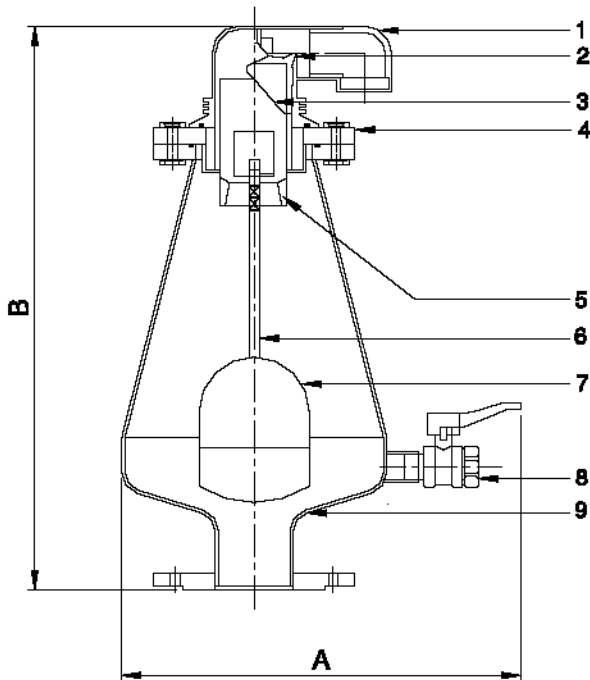
- a) Sewage drains and the level of sewage in the pipeline drops, causing vacuum inside the system.
- b) The float drops and opens the chamber.
- c) Air is left in the system.



Design Mechanical Data, Dimansion , Materials and weight are subject to change without notice



AIR RELEASE VALVE AIF-118 S (for Sewage)



Components List

No	Parts	Materials
1	Drainage Elbow	PVC
2	Seat Plug assembly	Reinforced Nylon
3	Float	Foamed PVC
4	Cover	Steel DIN ST.37
5	Stopper	Acetal
6	Stem	St.Steel SAE 316
7	Float	St.Steel SAE 316
8	Ball Valve	Brass ASTM A124 Polypropylene
9	Body	Steel DIN ST. 37

Nominal Size	A	B
3" (80 mm)	366	733
4" (100 mm)	366	733
6" (150 mm)	366	733
8" (200 mm)	366	733

Design Mechanical Data, Dimension, Materials and weight are subject to change without notice