

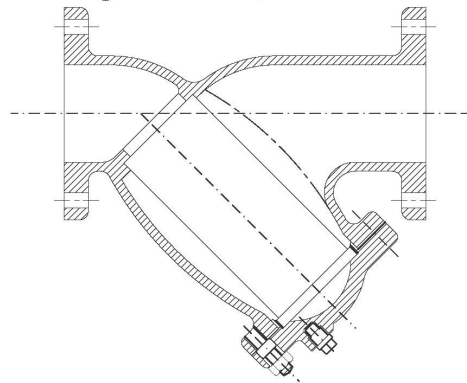


SAUDI PIPE SYSTEMS CO.

STRAINER STF-115



Filter, Y-Type, Flange ends, PN-16
According to BS 4504, PN10-PN16-PN25



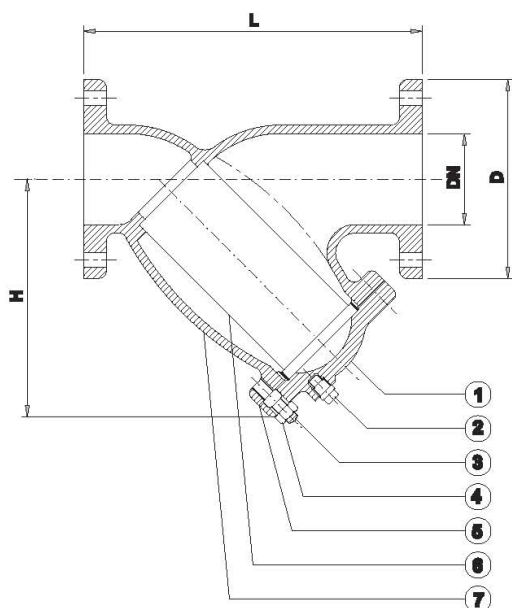
| | |
|---------------------|--|
| Application | For water and neural liquids |
| Working Pressure | 16 Bars |
| Working Temperature | Up to 120° C |
| Face to Face | According to Table |
| Flange | DIN 2501 PN16=ISO 2531 PN16, BS 4504 |
| Coating | Epoxy powder inside and outside 200-300 microns, for potable water |

Design Mechanical Data, Dimension , Materials and weight are subject to change without notice



SAUDI PIPE SYSTEMS CO.

STRAINER STF 115



COMPONENTS LIST:

| | |
|--------------|----------------------|
| 1 Cover | DI GGG 50 |
| 2 Drain Plug | Malleable Iron A-197 |
| 3 Stud Bolt | Steel A-284 |
| 4 Nut | Steel A-284 |
| 5 Gasket | Synthetic Fiber |
| 6 Screen | S.S 304 |
| 7 Body | DI GGG 50 |

Dimension According to BS 4504

Unit : mm

| DN | 50 | 65 | 80 | 100 | 125 | 150 | 200 | 250 | 300 |
|--------------|-----------|-----|-----|-----|-----|-----|-----|-----|-----|
| D | 165 | 185 | 200 | 220 | 250 | 285 | 340 | 405 | 460 |
| L | 249 | 285 | 318 | 377 | 455 | 516 | 611 | 740 | 858 |
| H | 156 | 187 | 203 | 242 | 312 | 367 | 446 | 533 | 586 |
| SCREEN | HOLES | 0.8 | 1.5 | 1.5 | 1.5 | 1.5 | 1.5 | 1.5 | 1.5 |
| | THICKNESS | 0.5 | 1.0 | 1.0 | 1.0 | 1.0 | 1.0 | 1.0 | 1.0 |
| PCD PN 16 | 125 | 145 | 160 | 180 | 210 | 240 | 295 | 355 | 410 |
| PCD PN 10 | 125 | 145 | 160 | 180 | 210 | 240 | 295 | 350 | 400 |
| N-HOLES PN10 | 4 | 4 | 8 | 8 | 8 | 8 | 8 | 12 | 12 |
| N-HOLES PN16 | 4 | 4 | 8 | 8 | 8 | 8 | 12 | 12 | 12 |

Design Mechanical Data, Dimension, Materials and weight are subject to change without notice

Main Office : Jeddah - Industrial Zone Phase -4, P. O. Box : 34572, Jeddah: 21478 - Saudi Arabia,
Tel +966-2-6370999 / 6081100 Fax +966-2-6365925 / 6379439 E-Mail : spsvalve@sps.net.sa, Web site : www.saudivalve.com