



# SAUDI PIPES SYSTEMS CO.

## BASKET STRAINER STF-116



T-type Basket Strainer with flange connection PN 16 to DIN 2501 or ISO 2531 or BS 4504

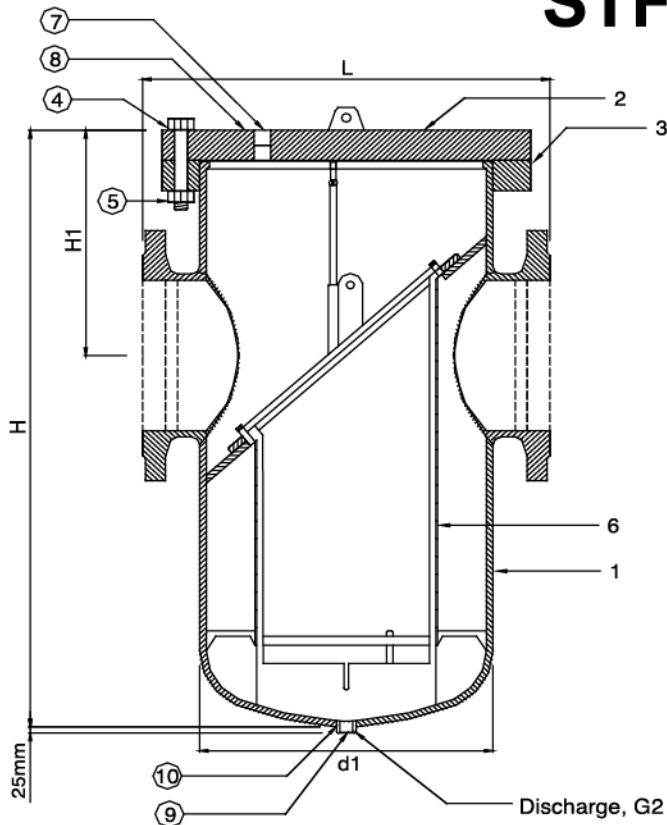
### FEATURES:

Body and cover made of Steel  
H11. epoxy powder coated.  
Screen Frame S.S 304  
Screen (t. S.S 304)  
Gasket, asbestos-free

*Design Mechanical Data, Dimension , Materials and weight are subject to change without notice*



## BASKET STRAINER STF-116



- |                          |                        |
|--------------------------|------------------------|
| 1. Body .....            | GGG50/ASTM A53         |
| 2. Cover .....           | GGG50/ASTM A53         |
| 3. Sealing .....         | EPDM                   |
| 4. Hex.-Head Screw ..... | ST. Steel 304/316      |
| 5. Hex. Nut .....        | ST. Steel 304/316      |
| 6. Strainer Basket ..... | Stainless St. 304/ 316 |
| 7. Plug .....            | 8.8                    |
| 8. Sealing .....         | EPDM                   |
| 9. Plug .....            | 8.8                    |
| 10. Sealing .....        | EPDM                   |

NOTE: Branches And Flanges Are Welded

TABLE

DN	L (mm)	d1 (mm)	H (mm)	H1 (mm)	G1 (mm)	G2 (mm)
200	600	324	560	320	1/2	3/4
250		356	700	335		1
300	700	406	830	380	3/4	1-1/2
350	980	610	1180	430		
400	1100	700	1375	475		
450	1200	800	1465	505		
500	1250	900	1570	600		
600	1450	1050	1495	690	1	2
700	1650	1100	1760	770		
800	1700	1220	2000	900		
900	1900	1300	2250	1000		
1000	2100	2100	2100	2100		

*Design Mechanical Data, Dimension , Materials and weight are subject to change without notice*