



SAUDI PIPE SYSTEMS CO.

BUTTERFLY VALVE BUF - 108



Design According To EN593

Face to Face According to EN558 Series 14

Drilling According To EN1092-2 (ISO 705-2)

PN10 / PN16

- Stainless Steel Seat
- Body Inside and outside & Disc Epoxy Coated. (200 - 300) microns
- One piece profile sealing resilient seat.
- Replaceable Sealing EPDM Rubber.
- For water and sewer application.
- Double Eccentric Type.
- Face to Face Acc. to DIN 3202 F4
- Worm gear Operated.
- Working Pressure 10 / 16 / 25 Bars
- For Working Pressure PN40, please contact us.
- The Valve must be installed with the flow arrow pointing to the direction of flow.

OPTIONAL :

- Electric Actuator.
- Pneumatic Actuator.
- Stainless Steel Disc.

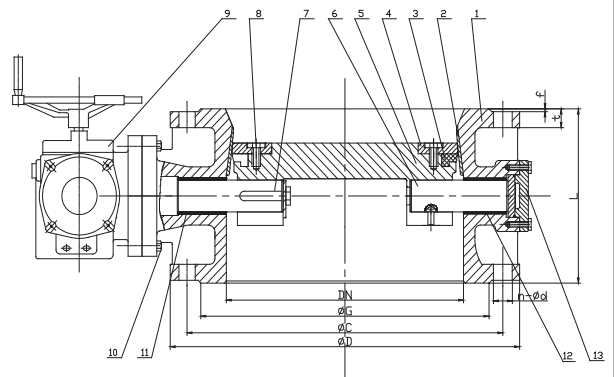


SAUDI PIPE SYSTEMS CO.

BUTTERFLY VALVE BUF - 108

MATERIAL LIST

NO	COMPONENT	MATERIAL
1.	Body	Ductile Iron GGG50 to DIN EN 1563
2.	Seat of body	Stainless steel 304
3.	Disc seat ring	EPDM
4.	Disc seat ring cover	Ductile iron GGG50 / SS 304
5.	Disc	Ductile iron GGG50 to DIN EN 1563
6.	Down shaft	Stainless steel X20Cr13-1.4021 / SS 304
7.	Up shaft	Stainless steel X20Cr13-1.4021 / SS 304
8.	Bolt	Stainless steel X5CrNi189-1.4301 / SS 304
9.	Gear Box	
10.	Bolt	Stainless steel X5CrNi189-1.4301 / SS 304
11.	Up shaft bearing	Bronze
12.	Down shaft bearing	Bronze
13.	Shaft end cover	Ductile iron GGG50



DIMENSIONS

DN	L	D	C	G	n-d	t	f
100	190	220	180	158	8-19	19	3
150	210	285	240	212	8-23	19	3
200	230	340	295	268	8-23	20	3
250	250	405	355	320	12-23	22	3
300	270	460	410	378	12-28	24.5	4
350	290	520	470	438	16-28	26.5	4
400	310	580	525	490	16-31	28	4
450	330	640	585	550	20-31	30	4
500	350	715	650	610	20-34	31.5	4
600	390	840	770	725	20-37	36	5
700	430	910	840	793	24-37	39.5	5
750	318	984	914.4	692	28-35	39.5	5
800	470	1025	950	900	24-40	43	5
900	510	1125	1050	1000	24-40	46.5	5
1000	550	1255	1170	1116	28-43	50	5
1100	590	1340	1270	1223	32-44	54	5
1200	630	1480	1390	1335	32-49	57	5
1400	710	1685	1590	1530	36-49	60	5
1500	750	1820	1710	1640	36-57	62.5	5
1600	790	1930	1820	1750	40-57	65	5
1800	870	2130	2020	1950	44-57	70	5
2000	950	2345	2230	2150	48-62	75	5