



SAUDI PIPE SYSTEMS CO.

BUTTERFLY VALVE

BUW- 109

Lug / Wafer



Ductile Iron body, Geometric drive,

Moulded in seat liner,

Applicable Specification :

MSS-SP 67 , MSS-SP 25

Face To Face According To BS EN558

Series 20 & API 609 ("L")

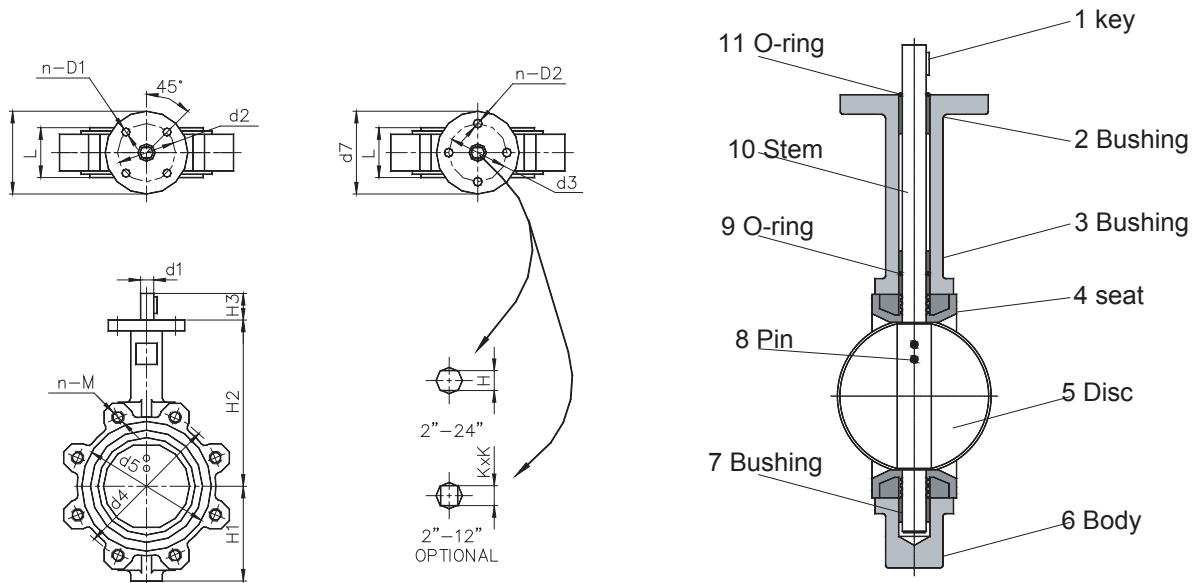


Application	For water and neutral liquids
Working Pressure	16 Bar
Working Temperature	Up to 100°
Sealing Pressure	16 Bars
Operation	By Lever lock or Gear Operated
Wedge	Aluminium Bronze , ASTM B-148 , Alloy 954 / 955 Option (St.Steel 304)
Type	Wafer Type / Lug Type
Coating	Epoxy Power coating (200 - 300 microns)



SAUDI PIPE SYSTEMS CO.

BUTTERFLY VALVE LUG TYPE BUW - 109



Dimensions of Lug Butterfly Valve

Unit :mm

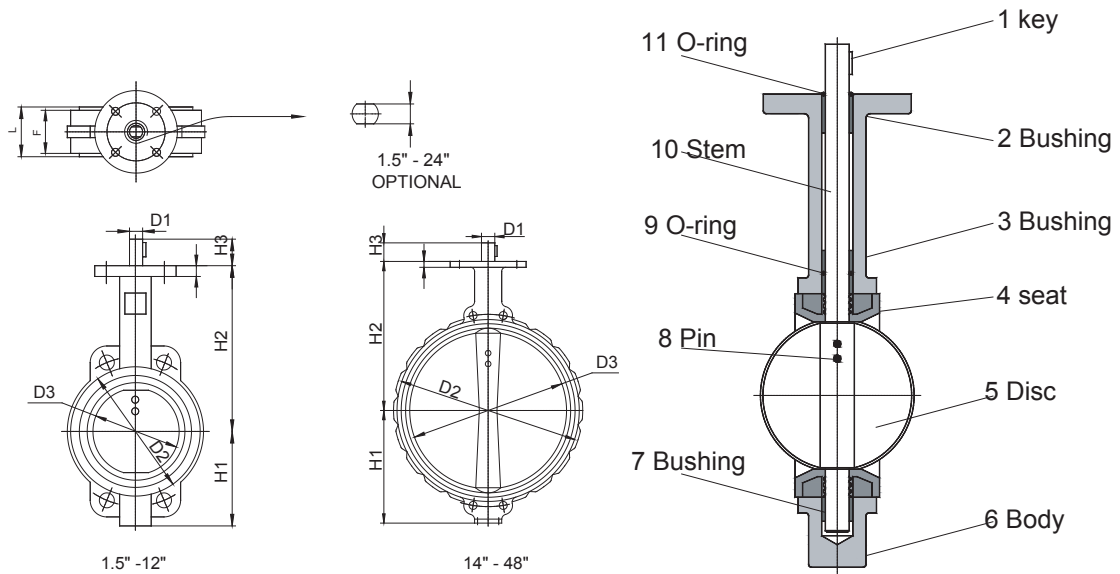
Size		H1	H2	H3	L	d1	d2	d3	d4			d5	d6	D7	n-M			n-D1	n-D2	H	K
mm	inch								ANSI B16.1	PN10	PN16				ANSI	PN10	PN16				
40	1.5	60	130	32	33	12.7	50	57.15	98.5	110	110	82	70	80	4-1/2"-13	4-M16	4-M16	4-7	4-6.8	10	10
50	2	76	162	32	43	12.7	50	57.15	120.65	125	125	88	70	80	4-5/8"-11	4-M16	4-M16	4-7	4-6.8	10	10
65	2.5	80	175	32	46	12.7	50	57.15	139.7	145	145	108	70	80	4-5/8"-11	4-M16	4-M16	4-7	4-6.8	10	10
80	3	95	181	32	46	12.7	50	57.15	152.4	160	160	118	70	80	4-5/8"-11	4-M16	8-M16	4-7	4-6.8	10	10
100	4	114	200	32	52	15.9	70	69.85	190.5	180	180	156	90	90	8-5/8"-11	8-M16	8-M16	4-9.5	4-10.3	12	12
125	5	127	213	32	56	19	70	69.85	215.9	210	210	181	90	90	8-3/4"-10	8-M16	8-M16	4-9.5	4-10.3	14	16
150	6	140	225	32	56	19	70	69.85	241.3	240	240	210	90	90	8-3/4"-10	8-M20	8-M20	4-9.5	4-10.3	14	16
200	8	173	260	45	60	22.2	102	88.9	298.45	295	295	260	125	120	8-3/4"-10	8-M20	12-M20	4-11.5	4-14.3	17	16
250	10	203	292	45	68	28.6	102	88.9	361.95	350	355	321	125	120	12-7/8"-9	12-M20	12-M24	4-11.5	4-14.3	22	24
300	12	237	337	45	78	31.7	102	107.95	431.8	400	410	384	125	140	12-7/8"-9	12-M20	12-M24	4-11.5	4-14.3	24	24
350	14	279	368	45	78	31.7	102	107.95	476.25	460	470	400	125	140	12-1"-8	16-M20	16-M24	4-11.5	4-14.3	24	—
400	16	304	400	51	102	33.34	165	158.75	539.75	515	525	465	210	197	16-1"-8	16-M24	16-M27	4-22.2	4-20.6	27	—
450	18	362	422	51	114	38	165	158.75	577.85	565	585	514	210	197	16-1 1/8"-7	20-M24	20-M27	4-22.2	4-20.6	27	—
500	203	368	479	64	127	41.15	165	158.75	635	620	650	559	210	197	20-1 1/8"-7	20-M24	20-M30	4-22.2	4-20.6	32	—
600	243	444	562	70	154	50.65	165	215.9	749.3	725	770	686	210	286	20-1 1/4"-7	20-M27	20-M33	4-22.2	4-22	36	—
700	283	520	624	72	165	55	254	254	—	840	840	795	300	300	—	24-M27	24-M33	8-18	8-18	—	—
750	303	621	648	72	190	55	254	215.9	914.5	—	—	851	300	286	28-1 1/4"-7	—	—	4-22.2	8-18	—	—
800	323	591	672	72	190	55	254	254	—	950	950	900	300	300	—	24-M30	24-M36	8-18	8-18	—	—
900	363	623	768	77	203	75	254	254	1086	1050	1050	1002	300	300	32-1 1/2"-6	28-M30	28-M36	8-18	8-18	—	—
1000	403	665	823	85	216	85	254	254	—	1160	1160	1111	300	300	—	28-M33	28-M39	8-18	8-18	—	—
1050	423	777	858	85	216	85	254	254	1257.8	—	—	—	300	300	36-1 1/2"-7	—	—	8-18	8-18	—	—
1200	483	955	880	150	254	92	298	298	1422.4	1380	1390	—	350	350	44-1 1/2"-7	32-M36	32-M45	8-22	8-22	—	—

Design Mechanical Data, Dimension, Materials and weight are subject to change without notice



SAUDI PIPE SYSTEMS CO.

BUTTERFLY VALVE WAFER TYPE BUW - 109



Dimensions of Wafer Butterfly Valve

Unit :mm

Valve Size	H1	H2	H3	L	F	D1	D2	D3	H	B
40	70	145	32	33	33	12.7	82	41	10	12.7
50	76	162	32	43	42	12.7	88	51	10	12.7
65	89	175	32	46	45	12.7	108	63	10	12.7
80	95	181	32	46	45	12.7	118	77	10	12.7
100	114	200	32	52	52	15.9	156	103	12	12.7
125	127	213	32	56	54	19.1	181	122	14	12.7
150	140	225	32	56	56	19.1	210	154	14	12.7
200	177	260	45	60	60	22.2	260	201	17	14.3
250	203	292	45	68	66	28.6	321	245	22	14.3
300	242	337	45	78	76	31.7	384	300	24	19.1
350	267	368	45	78	76	31.7	400	332	24	19.1
400	298	400	51	102	86	33.3	465	388	27	19.1
450	318	422	51	114	105	38	514	438	27	19.1
500	349	479	64	127	130	41.15	559	490	32	22.2
600	410	562	70	154	151	50.65	686	590	36	22.2
700	520	624	72	165	165	55	795	692	—	29
750	616	648	72	190	167	55	851	741	—	29
800	591	672	72	190	190	55	900	772	—	29
900	611	768	77	203	207	75	1002	842	—	31.8
1000	665	823	85	216	222	85	1111	939	—	31.8
1100	777	858	85	216	256	85	1180	1026	—	31.8
1200	864	940	150	254	276	92	1261	1156	—	31.8



SAUDI PIPES SYSTEMS CO.

BUTTERFLY VALVE BUW - 109

Components List

Item	Description	Materials
1	Key	ST. Steel 304
2	Collar Bushing	Brass ASTM B 124
3	Upper Bushing	Copper CDA 122
4	Seat	NBR or EPDM
5	Disc	AL-BRONZE B-148 Alloy 954 or SS 304
6	Body	Ductile Iron ASTM A-536
7	Lower Bushing	Copper CDA 122
8	Pin	ASTM A582 Type 416 or ASTM A276 Type 410
9	Ring	NBR or EPDM
10	Stem	SS 304/ 316
11	Ring	NBR or EPDM

Performance Data

Valve Size(inch)		1.5"-24"	28"-48"
Nominal Pressure(MPa)		16 BAR	10 BAR
testing pressure (MPa)	body shell	24 BAR	15 BAR
	sealing	17.6 BAR	11 BAR
medium temperature(°C)		normal - 45°C -130°C special 200°C (instantaneous)	
Suitable medium		Fresh water, waste water, sea water, vapors, gas, oils, acid and alkaline	
Operation methods		handle, electric, pneumatic and liquid-driving	

Designed to comply with MSS SP-67 and API 609.

Compatible with ANSI Class 125/150, DIN and BS flanges.

Available with handles (2" to 12"), manual gear operators (2" to 48"),

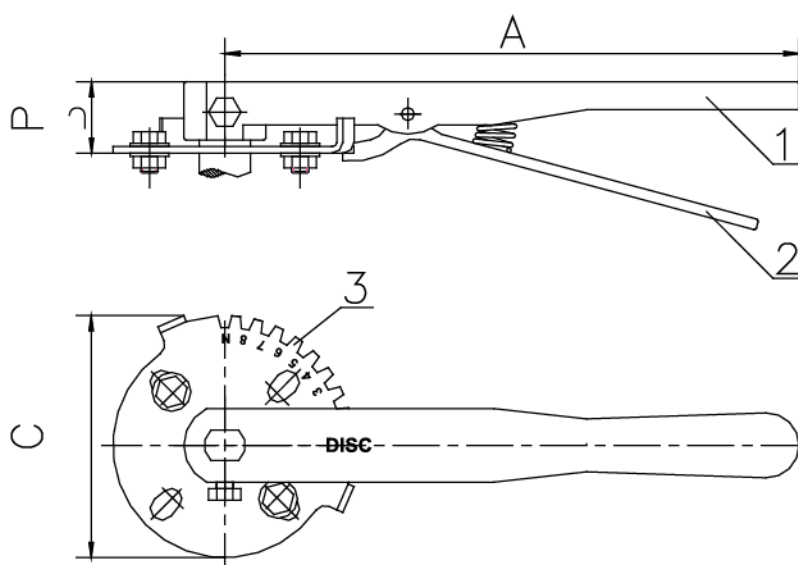
And electric or pneumatic actuators (2" to 48").

Design Mechanical Data, Dimension , Materials and weight are subject to change without notice



SAUDI PIPES SYSTEMS CO.

LEVER OPERATOR



The lever handle and throttling plate provide throttling notches every 10° for excellent manual control in balancing up 90° or shut off service.

Components List:

1. Handle-----Malleable Cast Iron
2. Throttle Plate---Zinc Plated steel
3. Lever-----Malleable Cast Iron

Dimensions

Valve Size	A	B	C
23 - 63	260	32	112
83 - 123	356	38	164

Design Mechanical Data, Dimension, Materials and weight are subject to change without notice